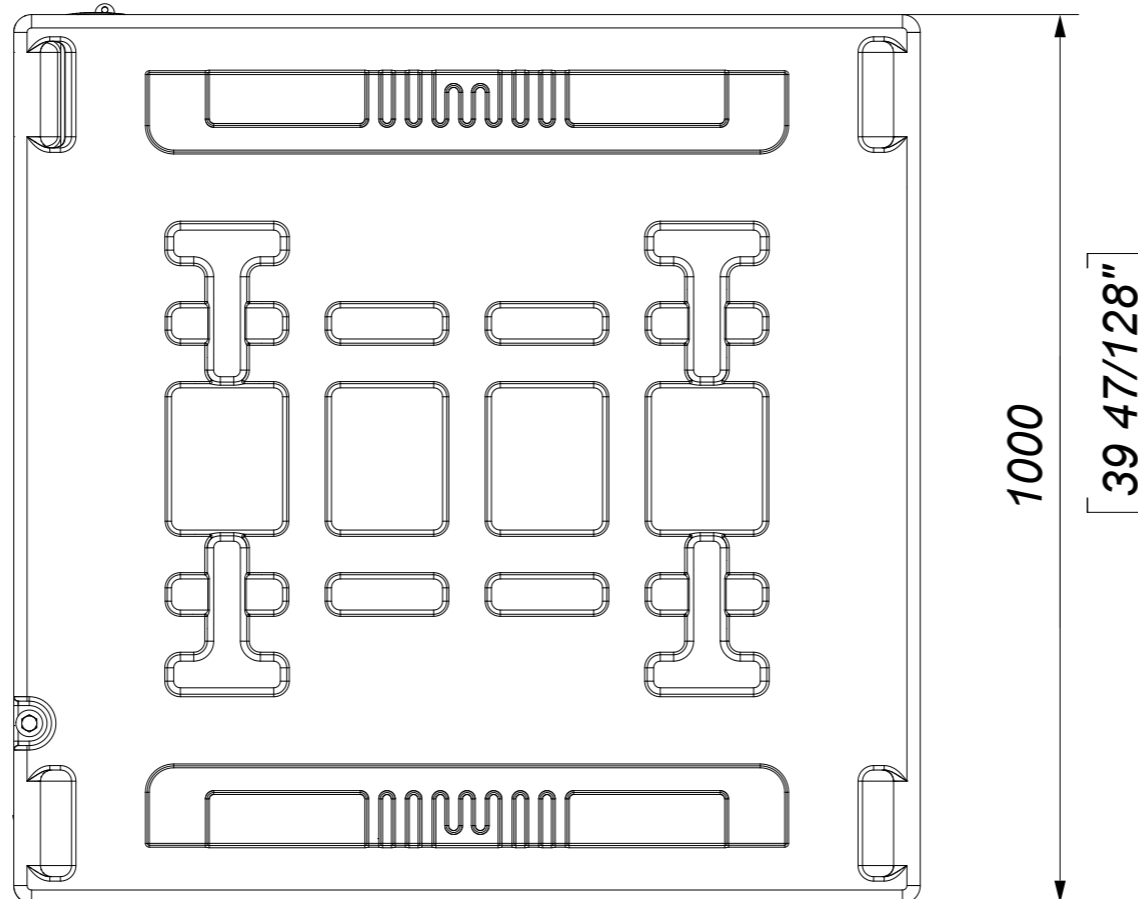
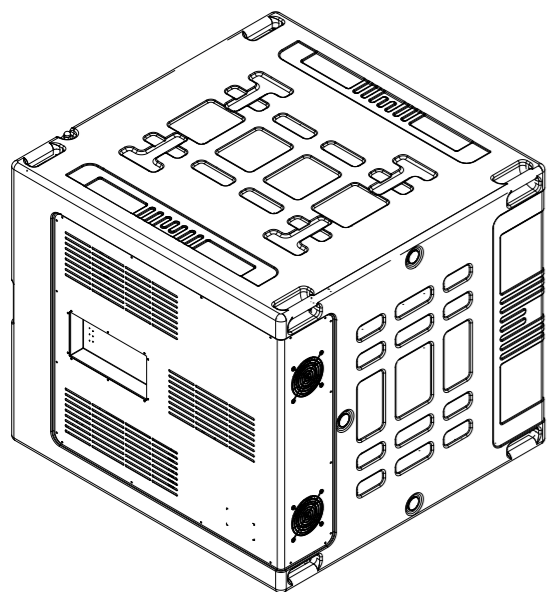
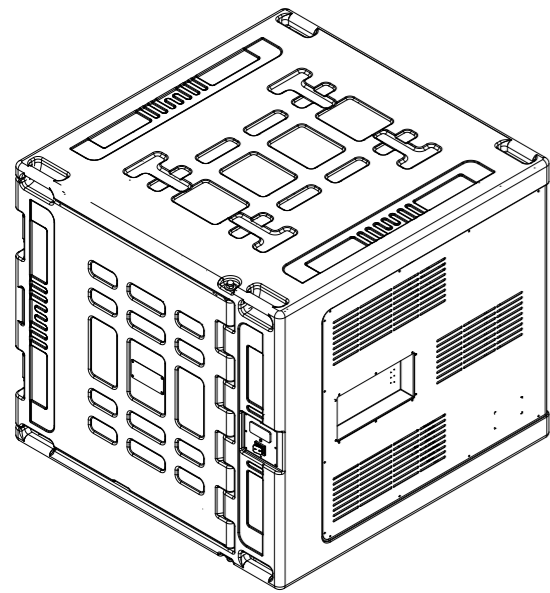
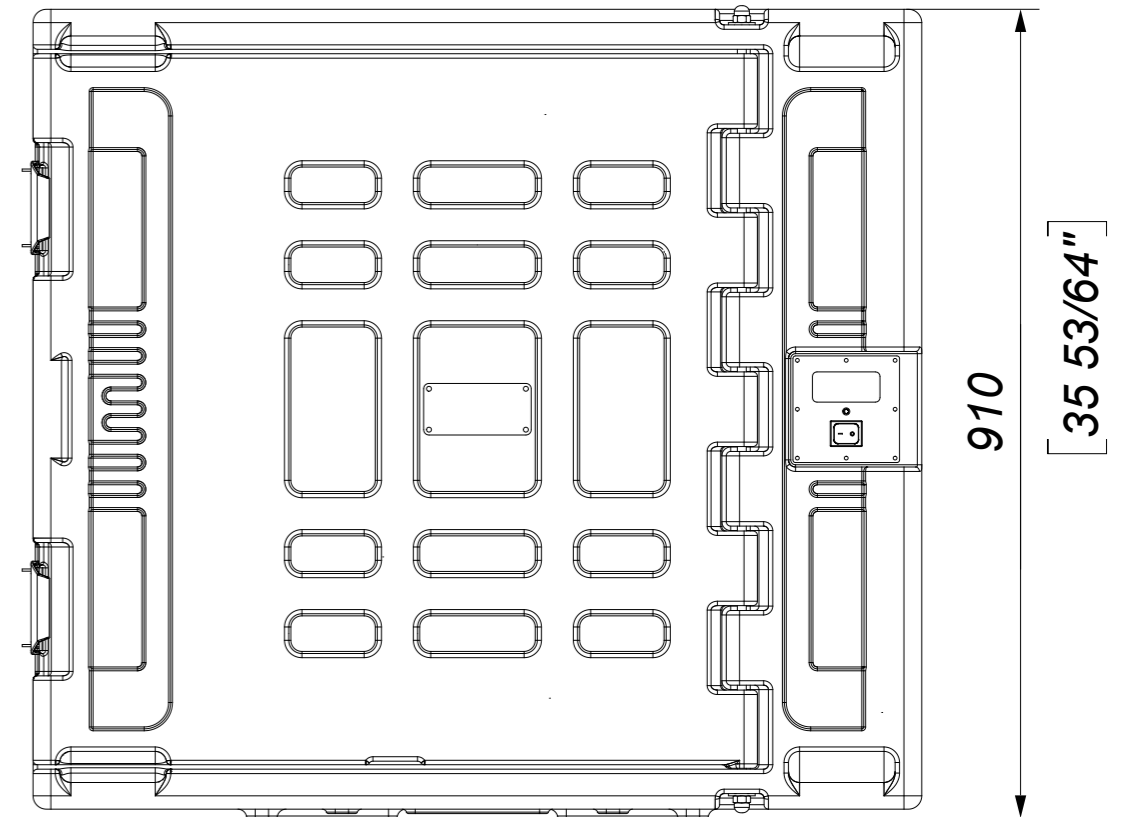
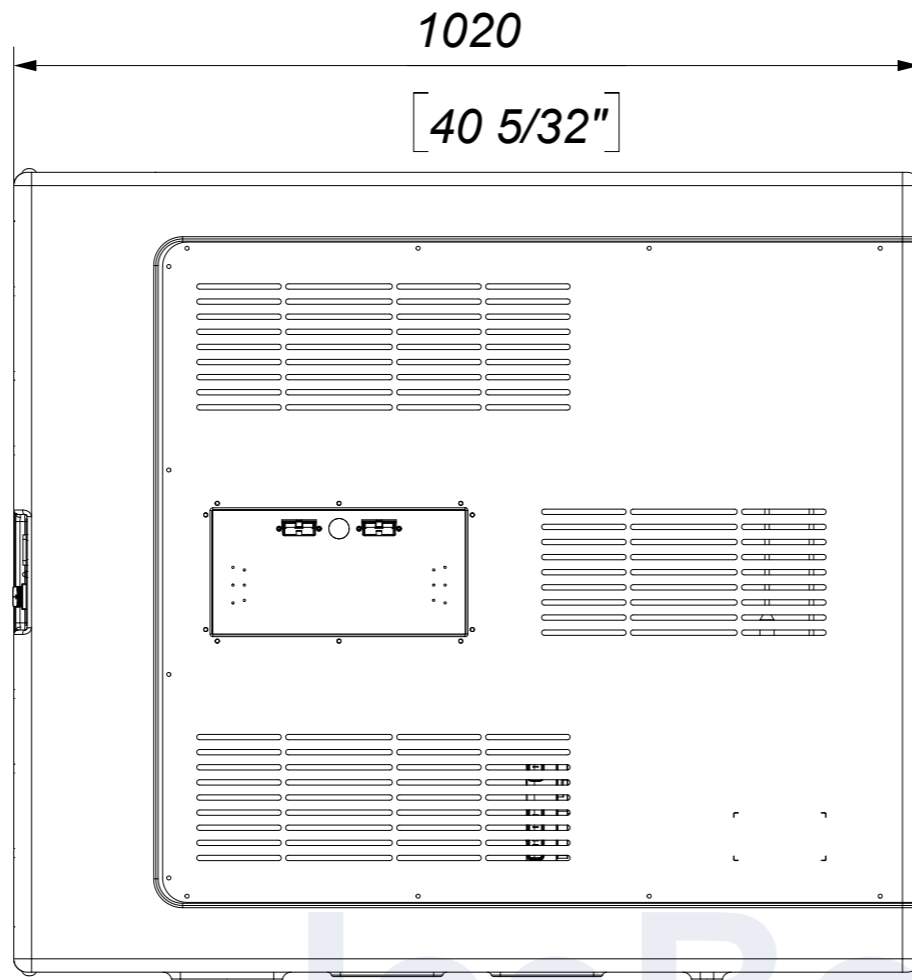


Codice EE	Description
816008/00	F0330/NDN
816008/02	F0330/NDH
816008/01	F0330/FDN
816008/03	F0300/FDH
816008/04	F0330/XFDN



IceBox